



Gas



Liquid & Slurry



Solid & Powder



Steam & Water

# SENTRY A SAMPLER

## Point Samplers

### AUTOMATIC SAMPLING

The Sentry® A automatic point sampler automates sampling of dry free-flowing materials such as granules, powders, flakes and pellets from screw or drag conveyors or sloped gravity chutes. A point sampler captures samples from a point in a process stream and often is used when the material is homogenous.

To obtain a sample, the Sentry A sampler's air cylinder opens a sliding gate on the sampler. The material sampled is discharged through a flexible hose to a collection point. Material characteristics are not affected by the sampler because no moving parts convey the material to the sample container. Sample volume can be changed at the sampler controller.

### MODELS

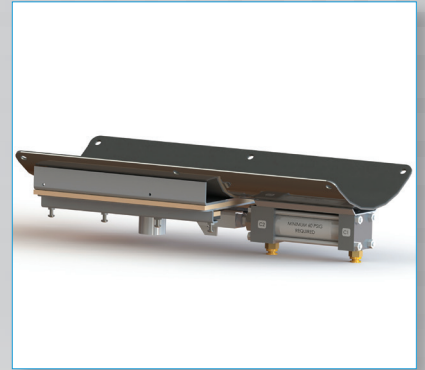
A

### BENEFITS

With representative sampling, characteristics of each sample match that of the entire lot or batch—so samples are repeatable, leading to accurate sample analysis data. Automatic sampling ensures a sample can be easily and safely obtained with no need for direct human interface or interference. This ensures sample integrity as well as operator safety.

### FEATURES

- Customized to meet various application needs
- Wetted components are 300 series stainless steel
- White nitrile seals or gaskets
- 1.5 inch or 3 inch (38 mm or 76 mm) diameter discharge tube
- Designed to eliminate degradation of sample material
- No moving parts in conveyance of sample to container, keeping material characteristics consistent
- CE and ATEX compliant models available
- Pneumatic or electric actuation for flexibility
- Air filter, regulator and gauge where applicable
- Optional release coating to ensure a non-stick surface
- QPQ hardening of contact surfaces available to protect against wear and abrasion
- Pre-plumbed filter/regulator and solenoid valve available

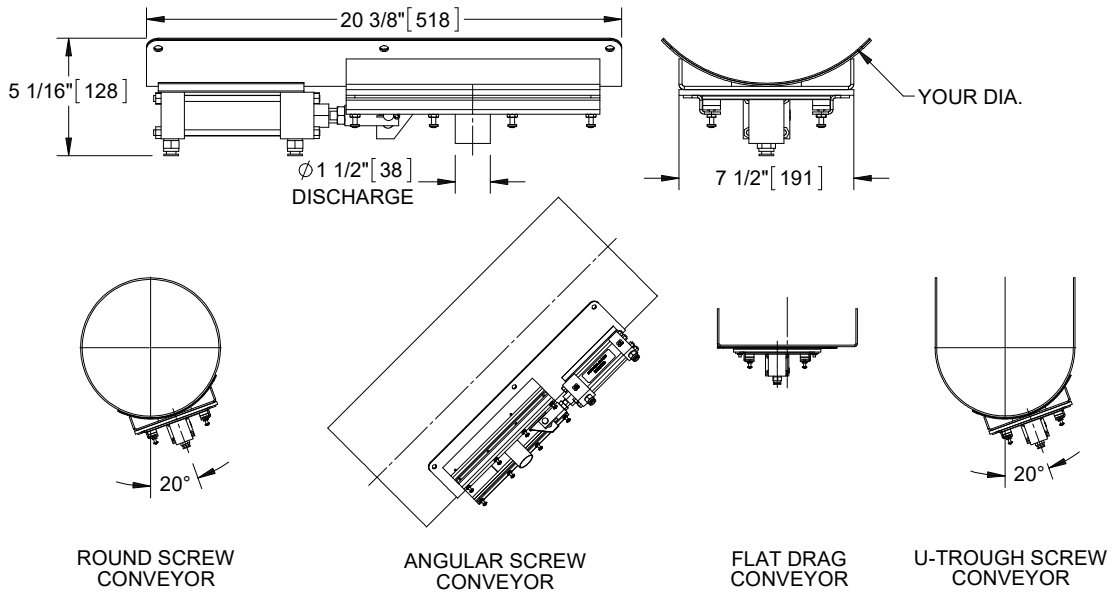


Sample. Monitor. Measure.



# SENTRY

Any Application. Anywhere.



## SPECIFICATIONS

materials	300 series stainless steel, white nitrile, UHMW-PE, aluminum cylinder
particle size	10 µm to 1/4 in (6 mm); larger sizes upon request
temperature rating	-10 to 180°F (-23 to 82° C)
air requirements	air pressure of 60 to 80 psi (4.1 to 5.5 bar) recommended; air usage 11 in <sup>3</sup> (180 cc) per inch of stroke
suggested connection to sample discharge	flexible tubing to a collection container or indexing cabinet
recommended sampler location	screw and drag conveyors
quantity of sample	determined by flow rate and retract time
collection containers	PET jar, 304 stainless steel jar, bag
pressure rating	ATM
shipping weight	approx. 20 lb (9 kg)

[sentry-equip.com](http://sentry-equip.com)

966 Blue Ribbon Circle North, Oconomowoc, WI 53066 U.S.A. | +1-262-567-7256 | [sales@sentry-equip.com](mailto:sales@sentry-equip.com)

© 2018 Sentry Equipment Corp. All rights reserved. All product and company names are property of their respective owners. It is solely the responsibility of end users, through their own testing and analysis, to select products and materials suitable for their specific application requirements, ensure they are properly installed, safely applied and properly maintained, and to limit their use to their intended purpose. Improper selection, installation or use may result in personal injury or property damage.

S-SP-SPS-00166-6 01-18



COMPANY WITH  
QUALITY SYSTEM  
CERTIFIED BY DNV GL  
= ISO 9001 =