



SENTRY SAMPLE SEQUENCER 6 CONTROLLER

Sample Conditioning Automation

SAMPLE CONDITIONING

Do you have multiple analyzers? Are you having trouble gaining analytic consensus across your sample streams? Gain precision in your sample streams and analyzer readings with the Sample Sequencer 6. Serving up to 32 sample streams between up to 8 analyzers, our sequencer ensures that you are maximizing uptime and decreasing reagent costs with accurate values. Individually programmable times and custom sequences allow each sequencer to be customized to your unique requirements.

MODELS

12V or 24V Sample Sequencer 6

BENEFITS

- Easy-to-use touchscreen display shows operators configurable sample names, times, and analyzer descriptions.
- Available in 12V or 24V for flexibility in solenoid selection.
- Can operate in continuous or batch mode to meet analyzer specifications.
- Sample Sequencer 6 can handle extreme ambient temperatures – 23 to 113°F (-5 to 45°C) with 5-95% relative humidity.



SPECIFICATIONS

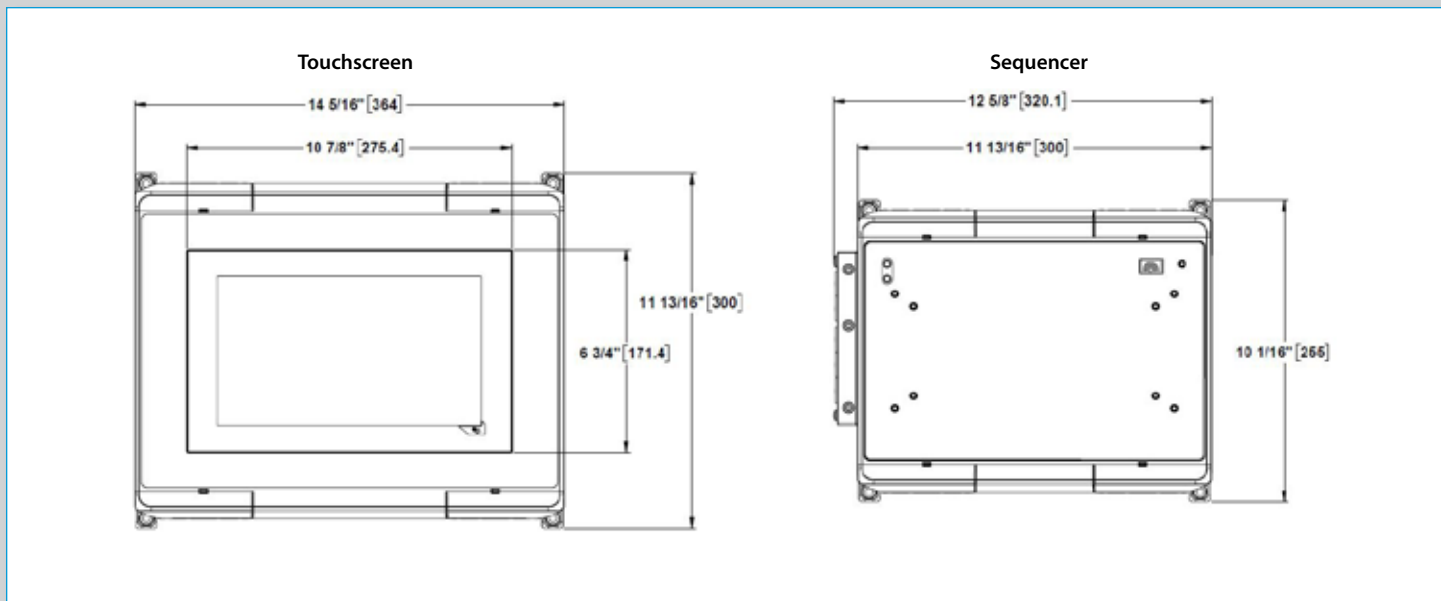
	Touch Screen with Power Supply (7-06362M)	Touch Screen without Power Supply (7-06362L)
AC input power	1.5A/115VAC, 0.9A/230VAC, 0.75A/277VAC Frequency: 50-60 Hz	-
DC power	-	0.43A/24VDC
user interface	10.1" Touchscreen	
enclosure	IP 65	
dimensions	14.3" H x 11.81" W x 5" D (363 mm H x 300 mm W x 127 mm D)	
mounting	surface	
ambient temperature	-20 to 70 deg C, 5-90% Relative Humidity	
shipping weight	7.5 lbs (3.4 kg)	
agency approvals	CE, UL	



Sample. Monitor. Measure.

SENTRY

Any Application. Anywhere.



SPECIFICATIONS			
	Standard (7-06362C) (12V) (7-06362K) (24V)	IO Extender 4 Point (7-06362D) (12V) (7-06362P) (24V)	IO Extender 8 Point (7-06362E) (12V) (7-06362N) (24V)
samples	8	4	8
analyzers	2	1	2
AC input power (24V)	0.52A/115VAC, 0.26A/230VAC, 0.21A/277VAC Frequency: 50-60 Hz		
AC input power (12V)	1.5A/115VAC, 0.9A/230VAC, 0.75A/277VAC Frequency: 50-60 Hz		
DC power (24V)	1.9A/24VDC		
DC power (12V)	3.8A/12VDC		
analyzer inputs	Two (2) AI: 4-20mA (154.5 Ohm load) +- 1% full scale (max) 6 Digital Inputs for end-of-analysis indication and system alarm indication max 28VDC	One (1) AI: 4-20mA (154.5 Ohm load) +- 1% full scale (max) 3 Digital Inputs for end-of-analysis indication and system alarm indication max 28VDC	Two (2) AI: 4-20mA (154.5 Ohm load) +- 1% full scale (max) 6 Digital Inputs for end-of-analysis indication and system alarm indication max 28VDC
outputs	DO: 16 AO: 8 (4-20mA; 550 Ohm max load) +- 1% full scale (max) SOL Out: 8 (12VDC) handling up to 2A*	DO: 8 AO: 4 (4-20mA; 550 Ohm max load) +- 1% full scale (max) SOL Out: 4 (12VDC) handling up to 2A*	DO: 16 AO: 8 (4-20mA; 550 Ohm max load) +- 1% full scale (max) SOL Out: 8 (12VDC) handling up to 2A*
resolution	AI:5.37uA/LSB AO:5.306761 uA/LSB		
user interface	Wireless 802.11b/g/n, Ethernet	N/A	
enclosure	IP 66, surface mounting		
dimensions	8.88" H x 12.36" W x 4.72" D (226 mm H x 314 mm W x 196 mm D)		
ambient temperature	23 to 113 deg F (-5 -to 45 deg C), 5-95% Relative Humidity		
shipping weight	5 lbs (2.3 kg)		

*Solenoid voltage must match DC voltage

sentry-equip.com

966 Blue Ribbon Circle North, Oconomowoc, WI 53066 U.S.A. | +1-262-567-7256 | sales@sentry-equip.com



© 2020 Sentry Equipment Corp. All rights reserved. All product and company names are property of their respective owners. It is solely the responsibility of end users, through their own testing and analysis, to select products and materials suitable for their specific application requirements, ensure they are properly installed, safely applied and properly maintained, and to limit their use to their intended purpose. Improper selection, installation or use may result in personal injury or property damage.

S-SW-SPS-00240-1 05-23

COMPANY WITH
QUALITY SYSTEM
CERTIFIED BY DNV GL
= ISO 9001 =