



Gas



Liquid & Slurry



Solid & Powder



Steam & Water

SENTRY SLOTTED PIPE SKIMMER

Sentry SmartSkim

FLOATING SKIMMERS

Extend the life of your industrial fluids and equipment efficiently and effectively with a slotted pipe skimmer.

Sentry's easy-to-maintain SmartSkim Slotted Pipe skimmer has a simple mounting bracket attached to the bottom of the tank, making the skimmer ideal for a varied of sump side coalescers. The operator-friendly device produces the same trusted SmartSkim performance with no additional hoses, belts, disks, or drums causing excess repairs or clogging.

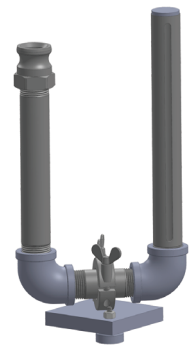
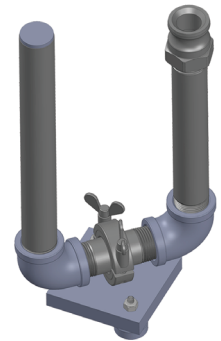
Our slotted pipe skimmer can be used with a variety of SmartSkim products as well as an aftermarket addition to non-SmartSkim products. But regardless of the transfer pump, SmartSkim's pipe skimmer is designed for continuous operation with minimal downtime, regardless of coolant or cleaner. An included stopper also ensures that there is minimal leakage during the performance.

BENEFITS

- Designed for easy installation and minimal maintenance
- The system allows for continuous operation
- It can be used with virtually any coolant or cleaner

FEATURES

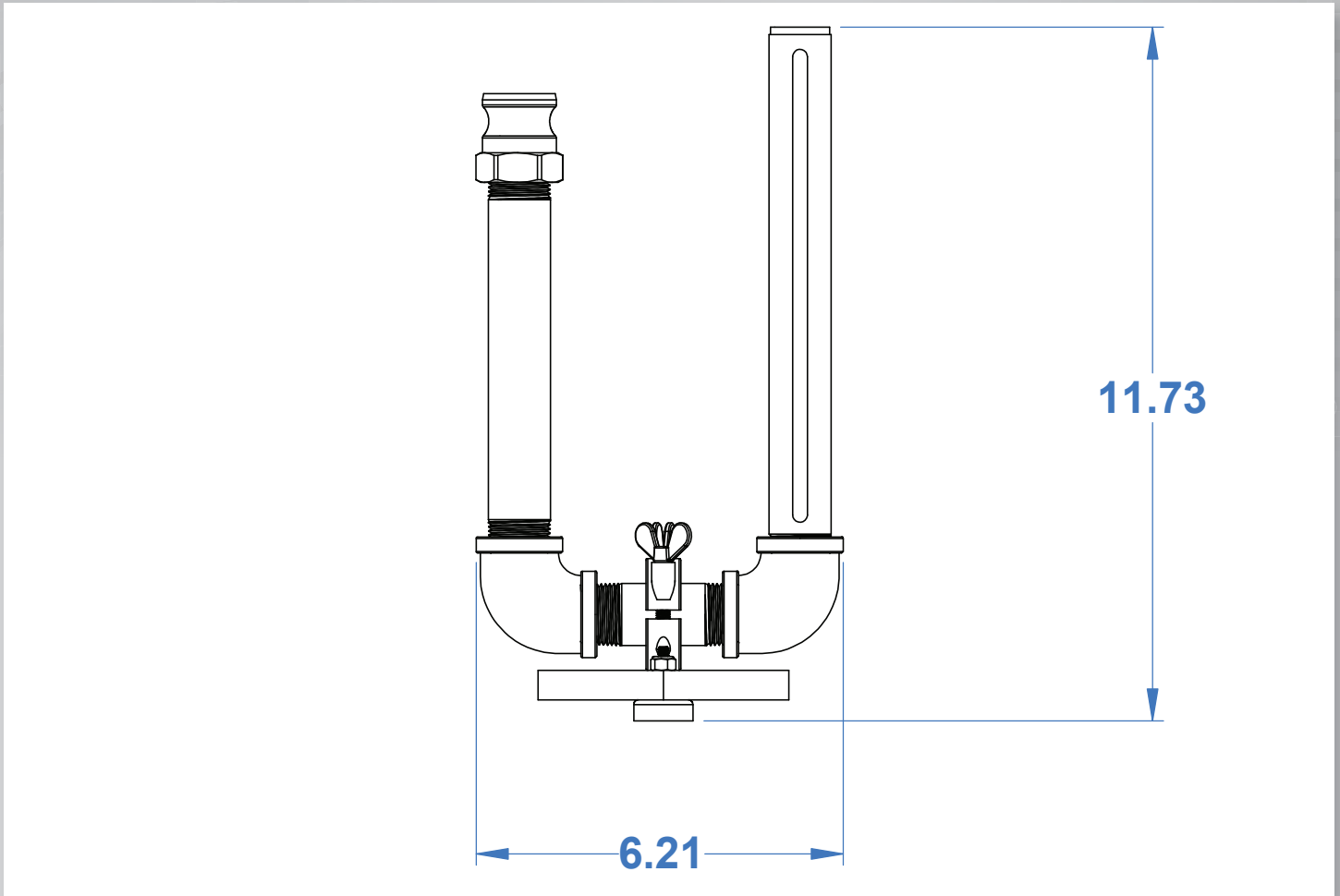
- No belts, disks, drums, or hoses – minimizing the chance of clogging or breakdown
- Stainless steel design maximizes equipment longevity
- Easy set-up and maintenance design with no ballasts



Sample. Monitor. Measure.

SENTRY

Any Application. Anywhere.



SPECIFICATIONS

Wetted Materials	304 SS
Materials of Construction	304 SS
Process Temperature	Up to 2300°F (1260°C)

sentry-equip.com

966 Blue Ribbon Circle North, Oconomowoc, WI 53066 U.S.A. | +1-262-567-7256 | sales@sentry-equip.com

© 2015 Sentry Equipment Corp. All rights reserved. All product and company names are property of their respective owners. It is solely the responsibility of end users, through their own testing and analysis, to select products and materials suitable for their specific application requirements, ensure they are properly installed, safely applied and properly maintained, and to limit their use to their intended purpose. Improper selection, installation or use may result in personal injury or property damage.

S-SW-SPS-00434-0 5-15



COMPANY WITH
QUALITY SYSTEM
CERTIFIED BY DNV GL
= ISO 9001 =