

SENTRY VARIABLE CHECK SAMPLER

Point Samplers

AUTOMATIC SAMPLING

The Sentry Variable Check sampler is a point sampler that traverses a solid product flow stream to capture product and moves the product out of the process by means of a center-less auger, keeping the product intact. A large, customizable aperture in the sampling tube allows accurate sampling from lines that produce product of different sizes or at different flow rates.

The sampler provides repeatable, statistically representative samples for the most demanding quality processes and pathogen testing. Operation and maintenance is made easy through accessible cleaning and repair from one access point in the process line.

Pairing with a Sentry SBC Controller or other PLC based system allows companies to program multiple product samples from process lines. Variables such as product size, aperture opening, auger speed and transverse time can be changed in a recipe format for different product runs.

MODELS

VCP

BENEFITS

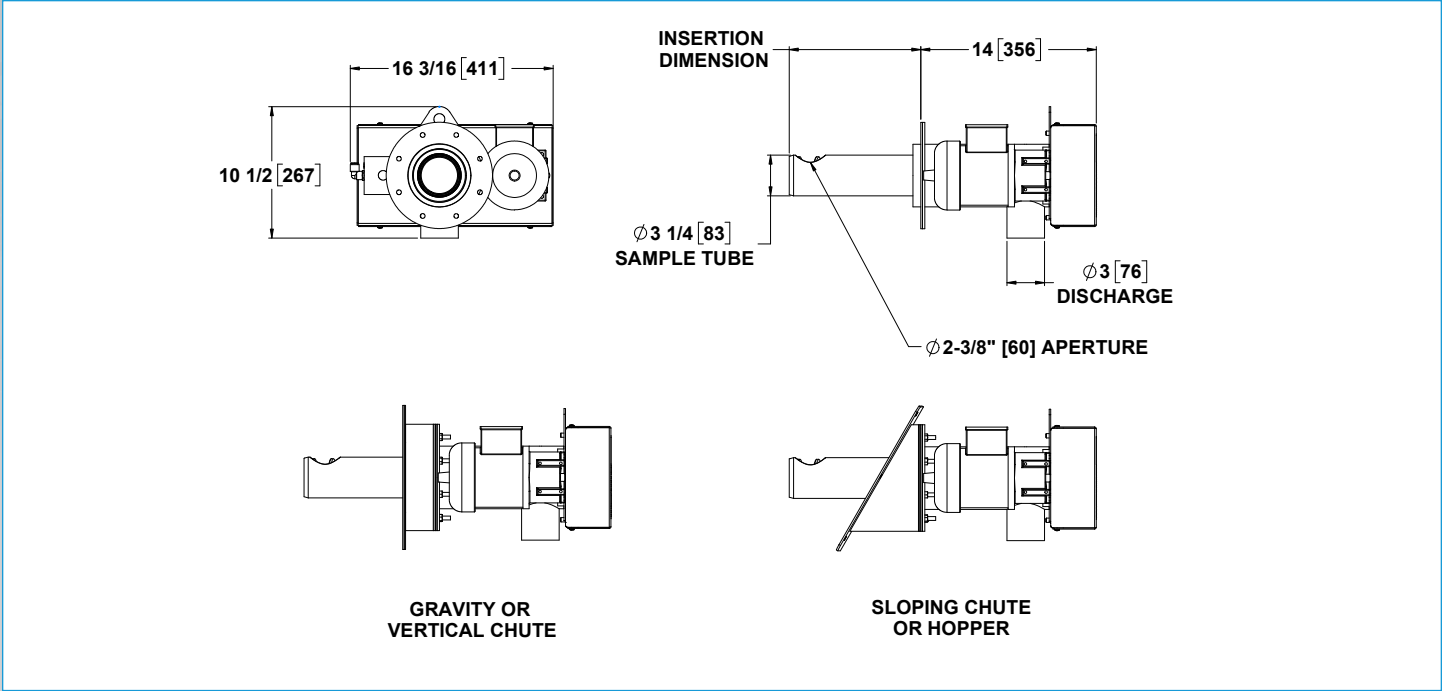
With representative sampling, characteristics of each sample match that of the entire lot or batch - so samples are repeatable, leading to accurate data analysis. Automatic sampling ensures a sample can be easily and safely obtained with no need for direct human interference. This ensures sample integrity and operator safety.

FEATURES

- Same side discharge for ease of installation and maintenance
- Close tolerance between the auger and tube assures self-cleaning to help prevent cross-contamination
- Larger diameter augers available for larger particle sizes
- Insertion lengths starting from 6 inches (152 mm)
- Product contact materials are 300 series stainless steel; food grade configuration available
- CE compliant models available
- Optional non-stick release coating
- Explosion proof (XP) motor available
- Custom mounting adapters for round, square or other shaped chutes or pipes
- Center-less auger moves product without damage
- Customizable aperture for sampling products of different sizes



Sample. Monitor. Measure.
SENTRY
Any Application. Anywhere.



SPECIFICATIONS

Materials	300 series stainless steel, white nitrile, acetal, aluminum actuator
Particle Size	10 μ m - 1 in (standard tube size) - Consult Sales for Larger Sizes
Motor	1/6 HP gearmotor, 30 RPM, 115/230/1ph/60 Hz, 110/220/1ph/50 Hz TEFC
Electrical Requirements	115/230 V, 1 ph, 60 Hz or 110/220 V, 1 ph, 50 Hz
Temperature Rating	-20 to 180°F (-29 to 82°C)
Suggested Sample Discharge Connection	Rigid metal or flexible tubing to a collection container or indexing cabinet
Suggested Sampler Location	Gravity chutes and hoppers
Maximum Sample Quantity	24 cc per revolution
Collection Containers	PET jar, 304 stainless steel jar, bag
Pressure Rating	ATM
Shipping Weight	approx. 60 lb (27 kg)

sentry-equip.com

966 Blue Ribbon Circle North, Oconomowoc, WI 53066 U.S.A. | +1-262-567-7256 | sales@sentry-equip.com

© 2019 Sentry Equipment Corp. All rights reserved. All product and company names are property of their respective owners. It is solely the responsibility of end users, through their own testing and analysis, to select products and materials suitable for their specific application requirements, ensure they are properly installed, safely applied and properly maintained, and to limit their use to their intended purpose. Improper selection, installation or use may result in personal injury or property damage.

S-AS-SPS-00203-1 03-22



COMPANY WITH
QUALITY SYSTEM
CERTIFIED BY DNV GL
= ISO 9001 =