



MODEL RX Automatic Sampler

***For Free-flowing
Material and Slurries***



MODEL RX AUTOMATIC SAMPLER

Features

- Compact and low maintenance
- No moving parts in conveyance of sample to container; keeps consistent product characteristics
- 316 stainless steel construction of material-contact surfaces
- Versatile installation in drop chutes, bins, hoppers, pipes or air slides

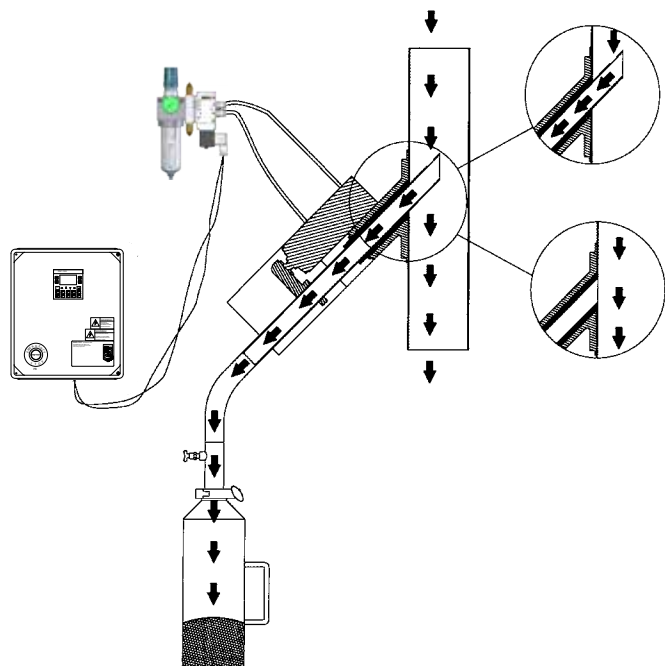
Options

- Custom mounting adapters for round, square or other-shaped chutes or bins
- Nickel-impregnated Teflon® ensures a non-stick surface
- Hardening treatment protect against wear and abrasion

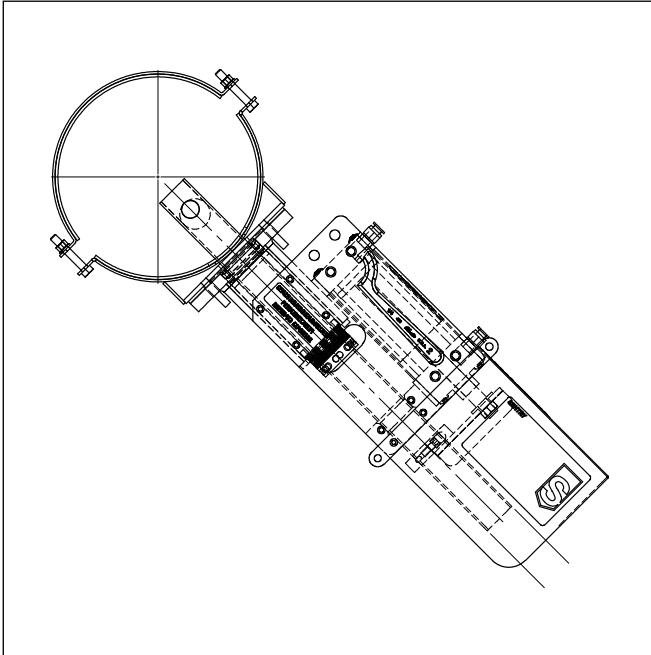
Description

The Model RX sampler automates strip sampling of materials such as free-flowing powders, granules, pellets, grain and seed. Samples can be drawn from positive or negative, horizontal or vertical dilute-phase pneumatic conveying systems as well as bins, gravity spouts or hoppers.

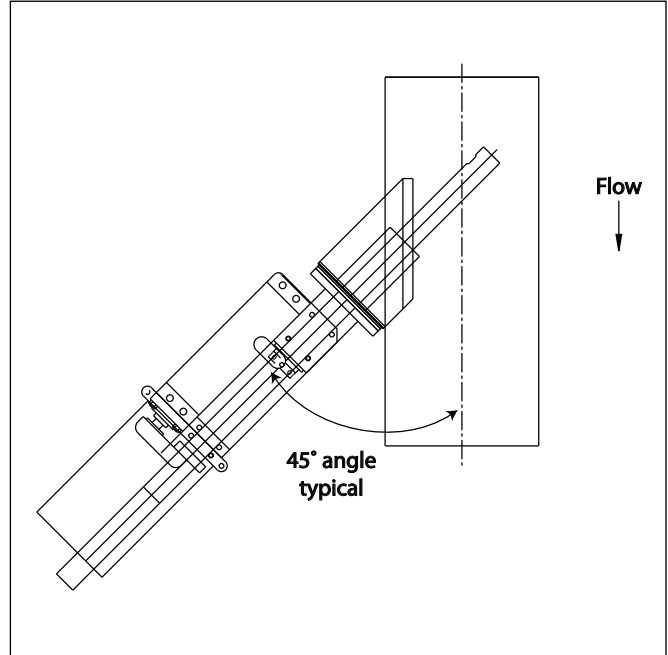
The Model RX features a solenoid operated air cylinder. The air cylinder extends the sample tube into the process line. While in line, the tube is continuously taking sample and discharging it to the collection point.



MODEL RX TECHNICAL DATA



RX Horizontal



RX Vertical

SPECIFICATIONS

Basic Electrical Requirements	115 VAC, single phase, 60 Hz
Air Requirements	60 psi (4 bar) minimum
Quantity of Sample	determined by flow rate, aperture size and time in line
Suggested Discharge Connection	rigid metal or flexible tubing to a container or indexing cabinet
Materials of Construction	aluminum housing; 316 stainless steel tube; Teflon® seals
Control Package	control meets NEMA 4X classification and allows for fully automatic sampling; custom, manual pneumatic, and NEMA 7/9 applications upon request

NOTE: Teflon is a registered trademark of E. I. Du Pont de Nemours and Company.

WARNING

It is solely the responsibility of the end-user, through its own analysis and testing, to select products and materials suitable for their specific application requirements, ensure they are properly installed, safely applied, properly maintained, and limit their use to their intended purpose. Improper selection, installation, or use may result in personal injury or property damage.



SENTRY EQUIPMENT CORP

966 Blue Ribbon Circle North
Oconomowoc, WI 53066 USA
Tel: 262-567-7256 • Fax: 262-567-4523

E-mail:
sales@sentry-equip.com

Website:
www.sentry-equip.com



For further information, contact: