

- **Cast Stainless Steel Collars**
- **Stainless Steel Hinged Skimmer and Support**
- **Available in 3', 4', 5' and 6' complete assemblies**
- **This skimmer can be retrofitted to any clarifier**



The RSG Hinged Skimming Device



The RSG Skimming Device



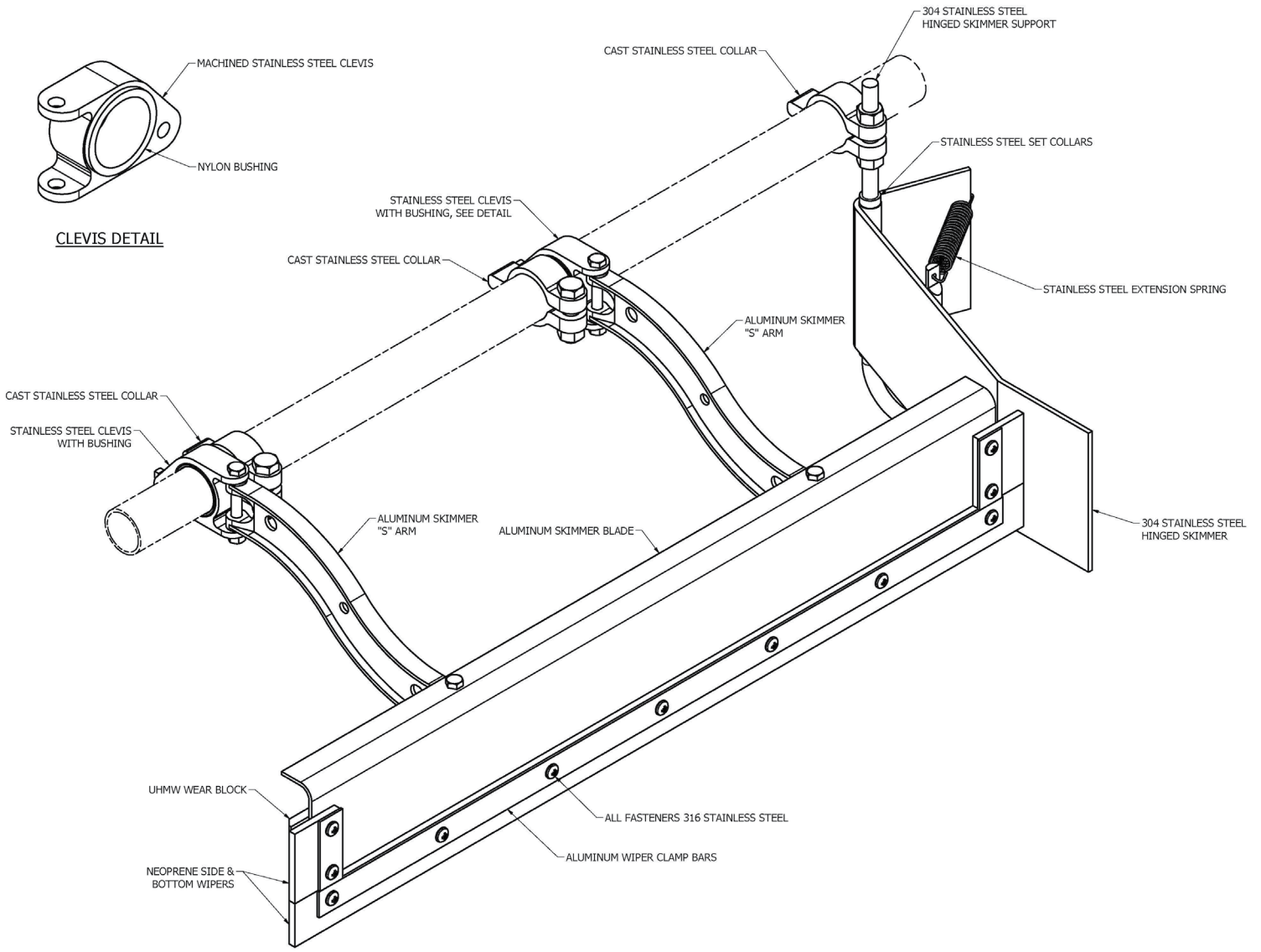
RSG Patented Stainless Steel Clevis with Bushing

The RSG skimmer assembly has been designed in all stainless steel and aluminum materials. This new and improved skimming device design has a nylon bushing in the clevis so that it moves freely and is corrosion resistant. The new RSG skimming device will last longer and is easier to maintain.

Now You Got a Guy!

Rebuild-it Services Group, LLC
4188 Nike Dr
West Jordan, UT 84088
888-709-5676
rebuild-it.com





REBUILD-IT SERVICES GROUP SKIMMER ASSEMBLY

Now You Got a Guy!

